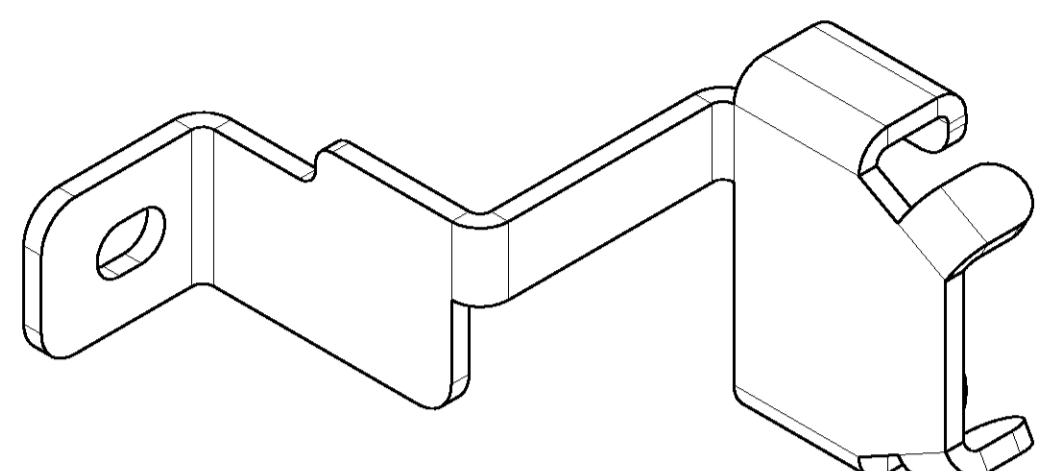
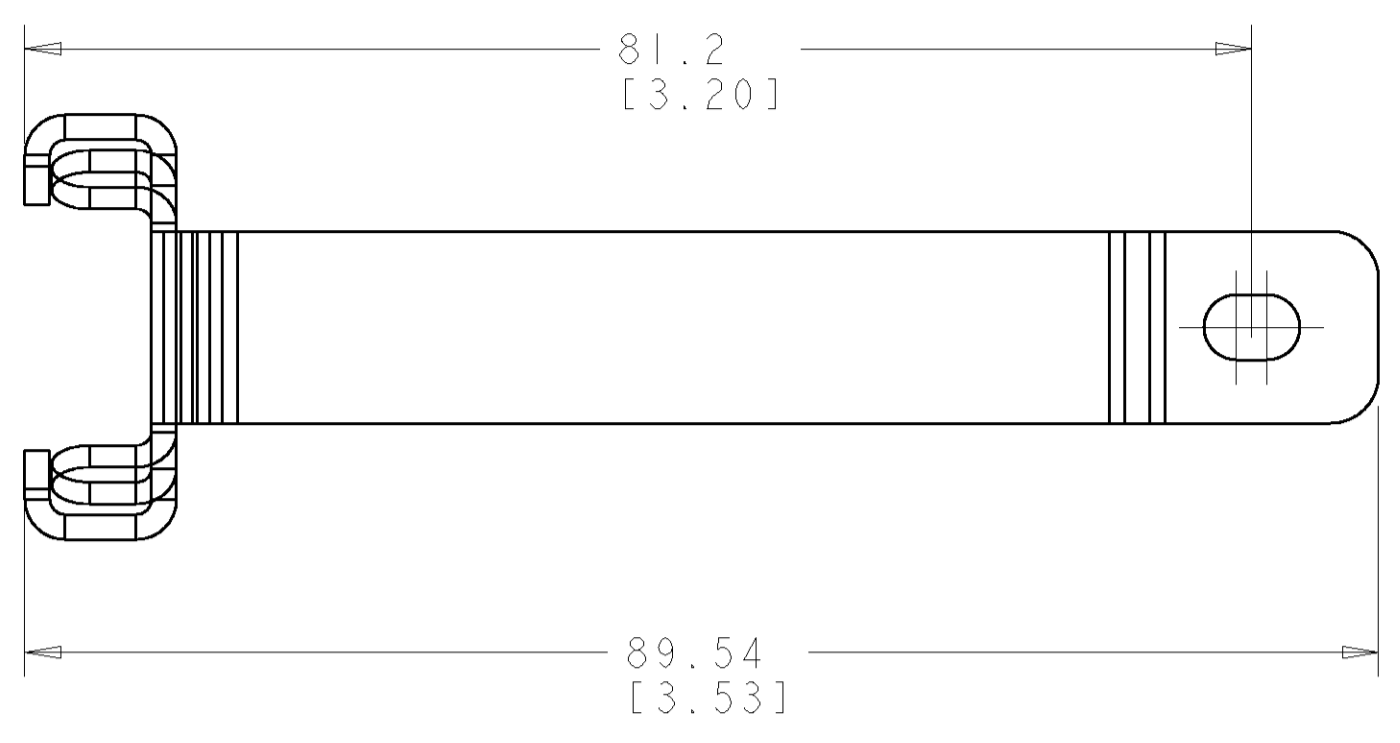


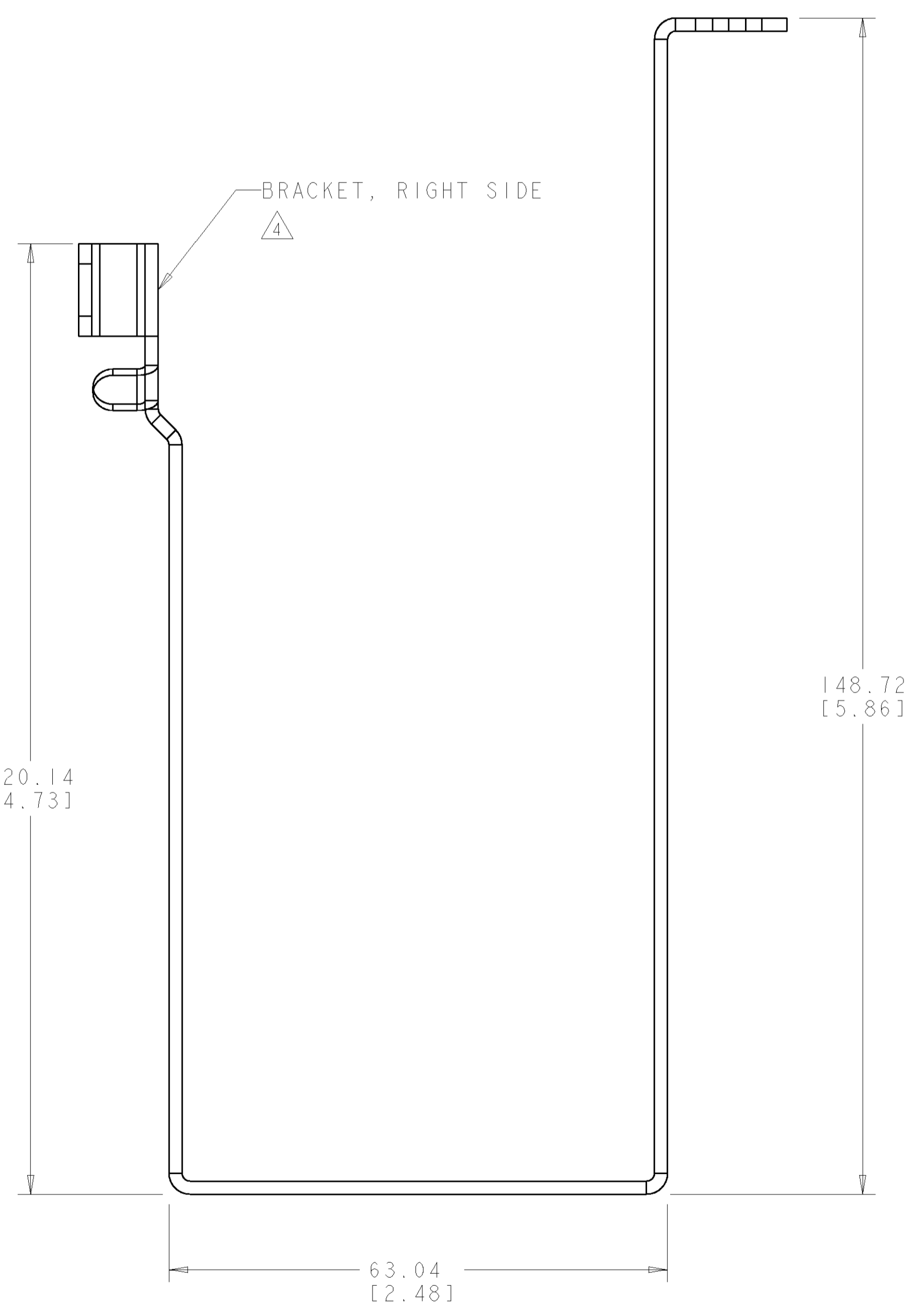
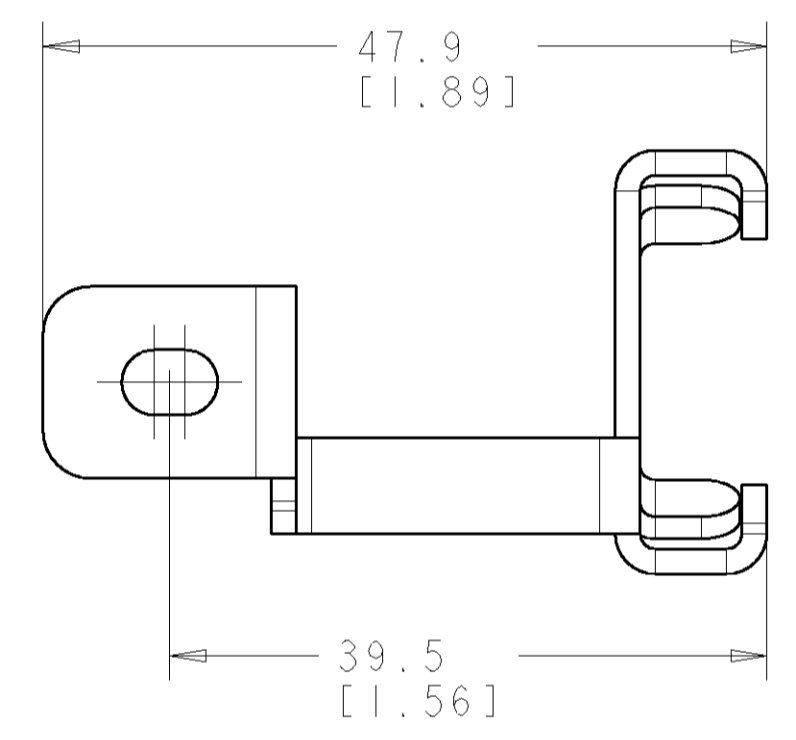
LOC		DIST		REVISIONS			
HM	00	P	LTR	DESCRIPTION	DATE	DWN	APPD
		A		RLSD PER NSD03-062	20AUG03	LH	PP
		B		REV - EC 0B60-0054-03	07OCT2003	LS	PP



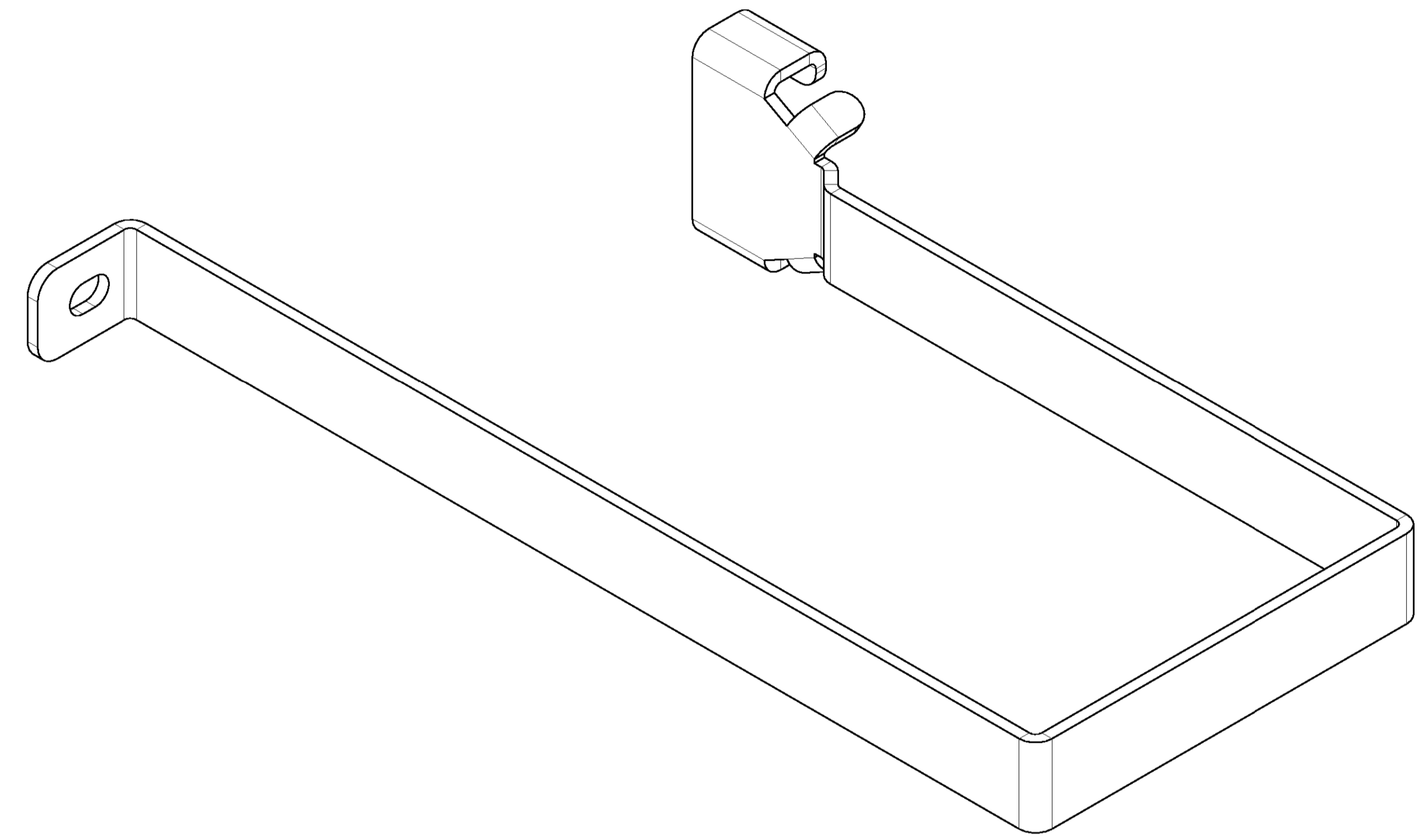
BRACKET, LEFT SIDE



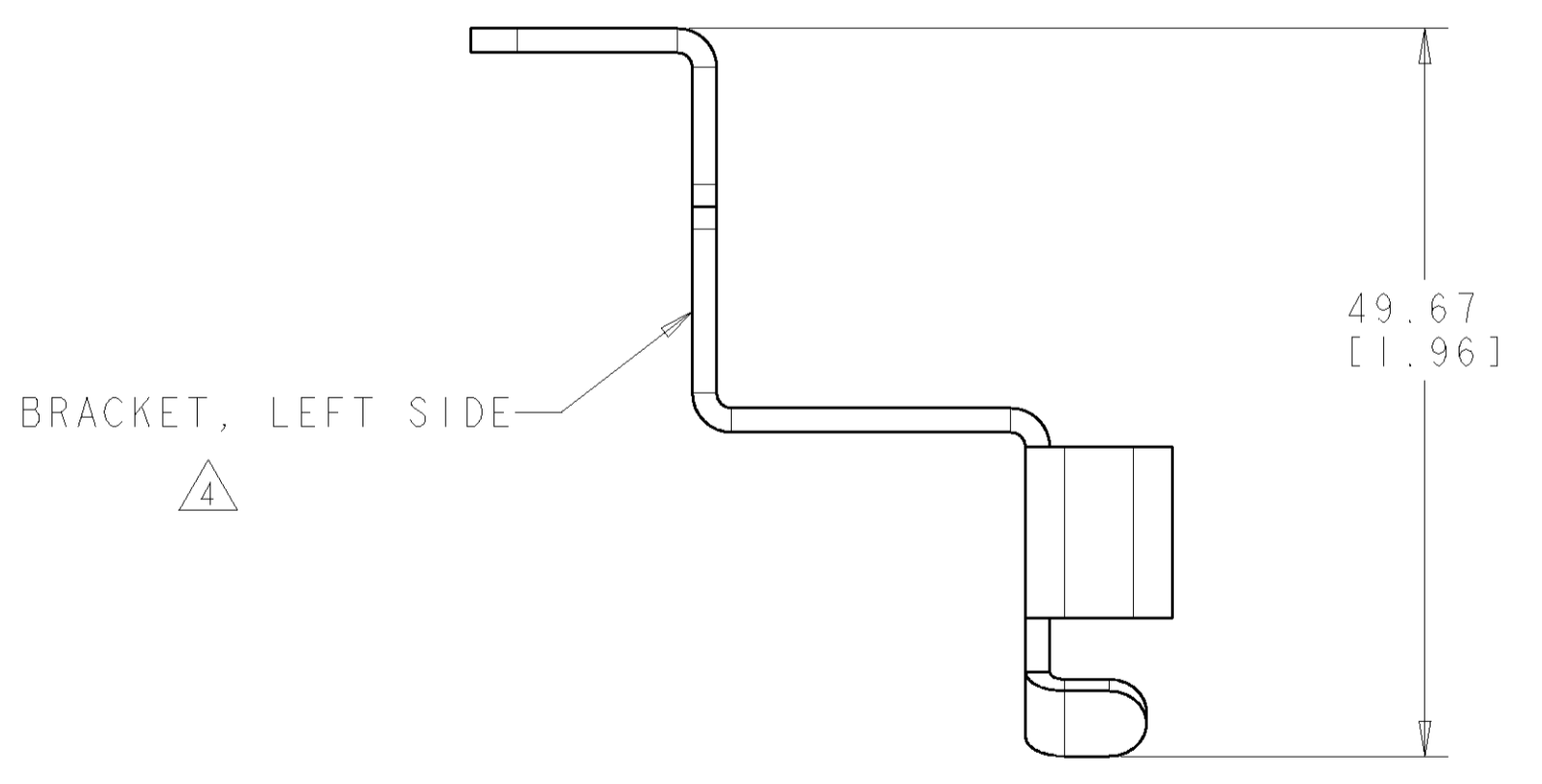
- 1 MATERIAL: CARBON STEEL .060 THK, 16 AWG.
- 2 FINISH: BLACK, POWER COAT, FINE TEXTURE.
- 3. M4 X .70 6MM LENGTH SCREWS ARE SHIPPED LOOSE IN POLYBAG, NOT SHOWN ON DRAWING.
- 4 RIGHT BRACKET, LEFT BRACKET AND SCREWS, ARE SHIPPED LOOSE IN POLYBAG.



BRACKET, RIGHT SIDE



BRACKET, RIGHT SIDE



BRACKET, LEFT SIDE

1435779-1	PACKAGED	PART NO.
-----------	----------	----------

DIMENSIONS: MM [INCHES]		TOLERANCES UNLESS OTHERWISE SPECIFIED: 0 PLC ± 1 PLC ±.26 [.010] 2 PLC ±.13 [.005] 3 PLC ±.13 [.005] 4 PLC ± ANGLES ±		DWN L HALL 18AUG03 CHK P. PEPE 20AUG03 APPD P. PEPE 20AUG03		NAME PRODUCT SPEC APPLICATION SPEC		SIZE CAGE CODE DRAWING NO A 00779 C-1435779		RESTRICTED TO -	
MATERIAL 1: 2 FINISH -		WEIGHT -		CUSTOMER DRAWING		SCALE 4/1		SHEET 1 OF 1		REV B	